

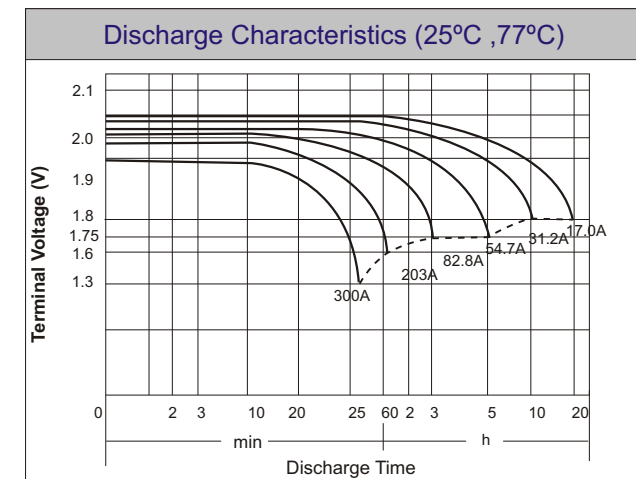
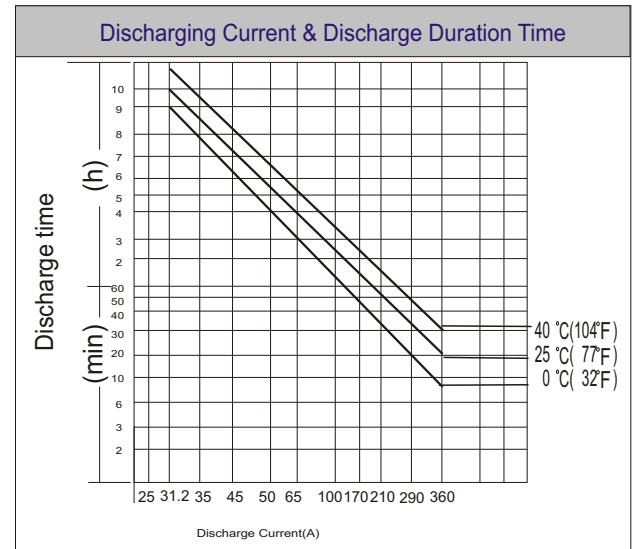
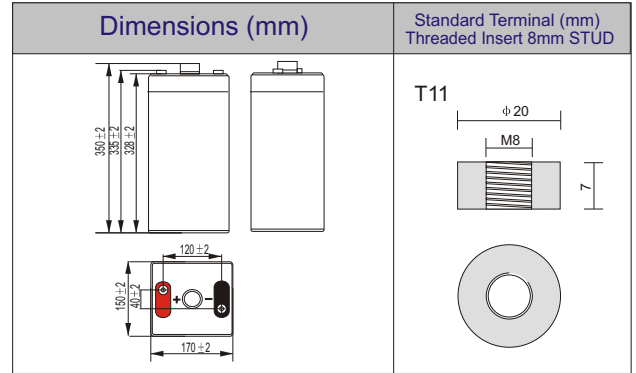


POWER-GUARD SERIES®



PG2V340

VRLA Sealed Long Life Battery



Physical Specification		
Nominal Voltage	2V	
Nominal Capacity (20HR)	340AH	
Dimension	Length	170±2mm (6.69 inches)
	Width	150±2mm (5.91 inches)
	Container Height	328±2mm (12.91 inches)
	Total Height (with Terminal)	350±2mm (13.78 inches)
Weight	Approx 19.3 kg (42.58lbs)	
Standard Terminal	T11 Threaded Insert 8mm STUD	

Electrical Specification					
Rated Capacity	20 hour rate (17.0 A)	340.0 AH	Constant-Voltage Charge	Cycle	Initial Charging Current less than 90A. Voltage 2.40V~2.50V at 25°C (77°F) Temp. Coefficient -5mV/C
	10 hour rate (31.2 A)	312.0 AH			
	8 hour rate (37.5 A)	300.0 AH			
	5 hour rate (54.7 A)	273.5 AH			
	3 hour rate (82.8A)	248.4 AH			
1 hour rate (203 A)	203.0 AH	Standby	No limit on Initial Charging Current Voltage 2.25V~2.30V at 25°C(77°F) Temp. Coefficient -3mV/°C		
Capacity affected by Temperature	40°C (104°F)			103%	
	25°C (77°F)			100%	
	0°C (32°F)	86%			

Constant Current (Amp) and Constant Power (Watt) Discharge Table (25°C,77°F)											
Time(minute) Final voltage	30	45	60	120	180	240	300	360	480	600	1200
Amp/Watt/Cell	1.3	1.3	1.6	1.7	1.75	1.75	1.75	1.75	1.8	1.8	1.8
Amps	312.3	218.6	203.0	112.4	82.8	65.6	54.7	48.4	37.5	31.2	17.0
W/Cell	590.3	434.2	402.0	223.6	164.9	130.9	109.0	96.8	75.0	62.4	34.0